

- Load capacity 1500 / 1800 KGS
- Efficient, fast and environmentally friendly
- Suitable for small space work
- Economical
- Compact
- Small turning radius
- Drive by lithium battery

3WEF15 / 3WEF18 3-WHEEL ELECTRIC FORKLIFT



Foot acceleration
Foot braking



Safety handbrake



Brake lights and turn signals



Hydraulic steering operation



Emergency switch +
Pin-code lock



Battery Indicator



The handle is easily
accessible



Ergonomic chair



Main Feature



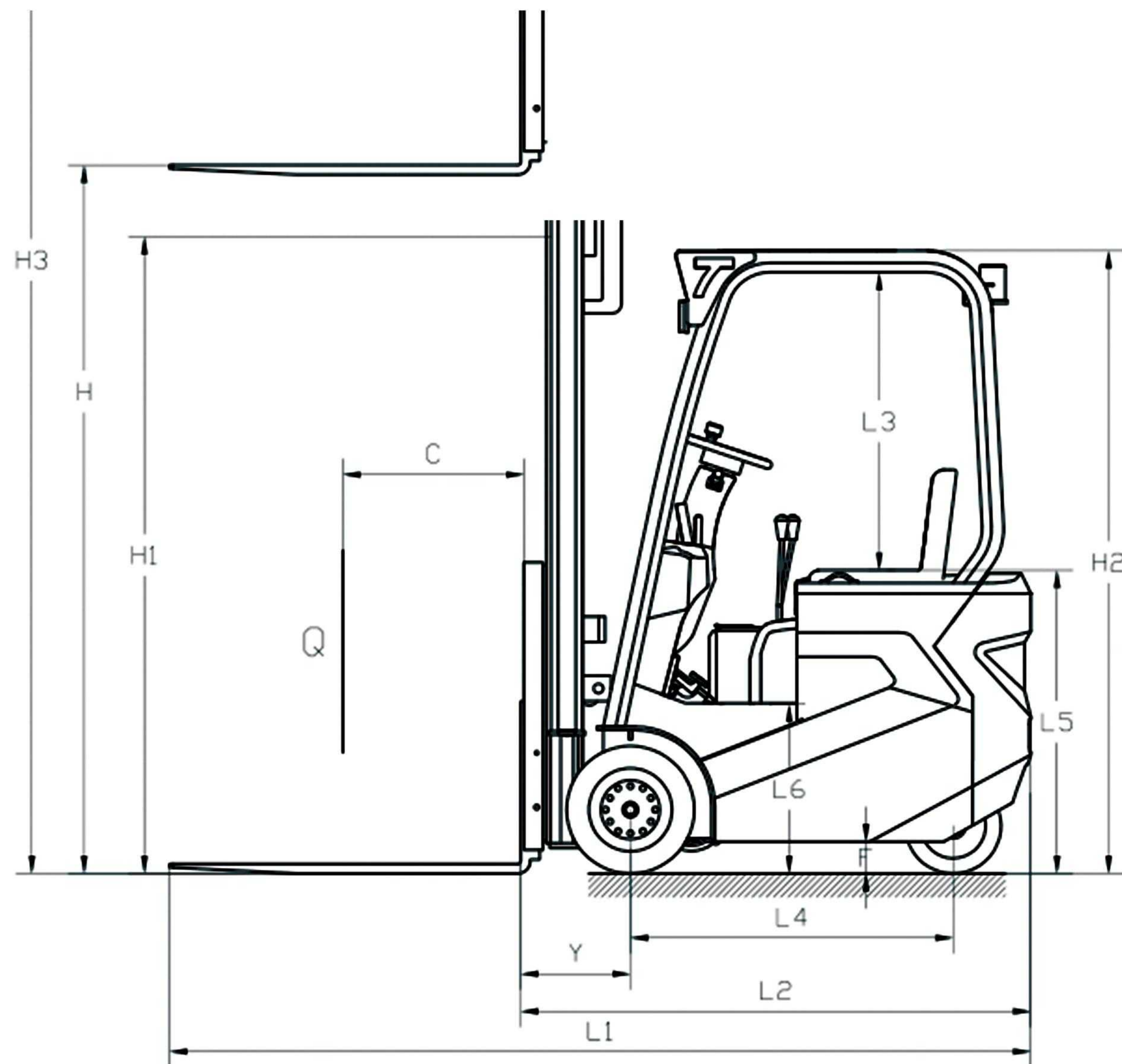
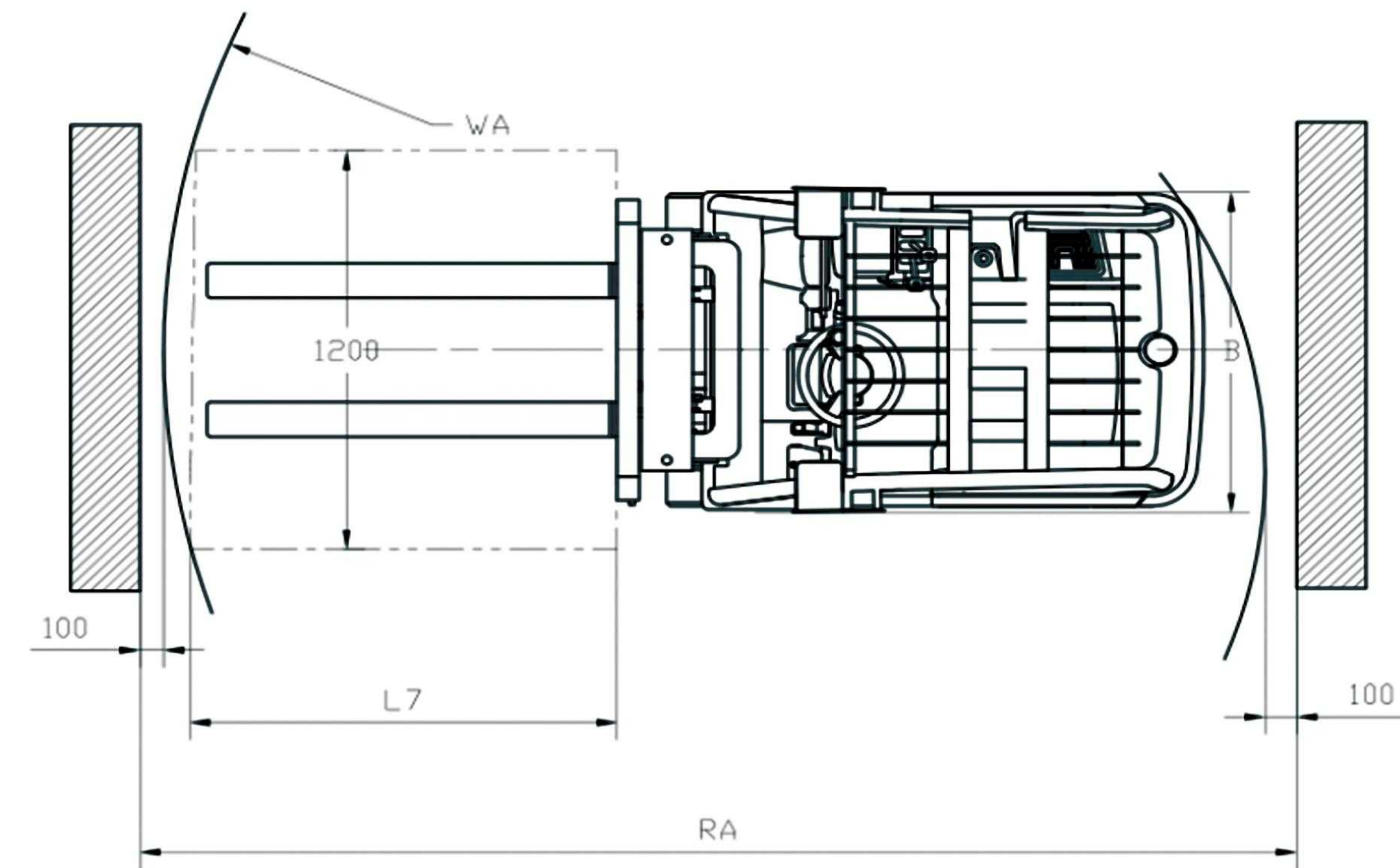
High strength chassis design

The high strength chassis and compact design ensure the long life and flexibility. Specifically supported by its perfect metal welding and bending technology, and metal toughness as well.



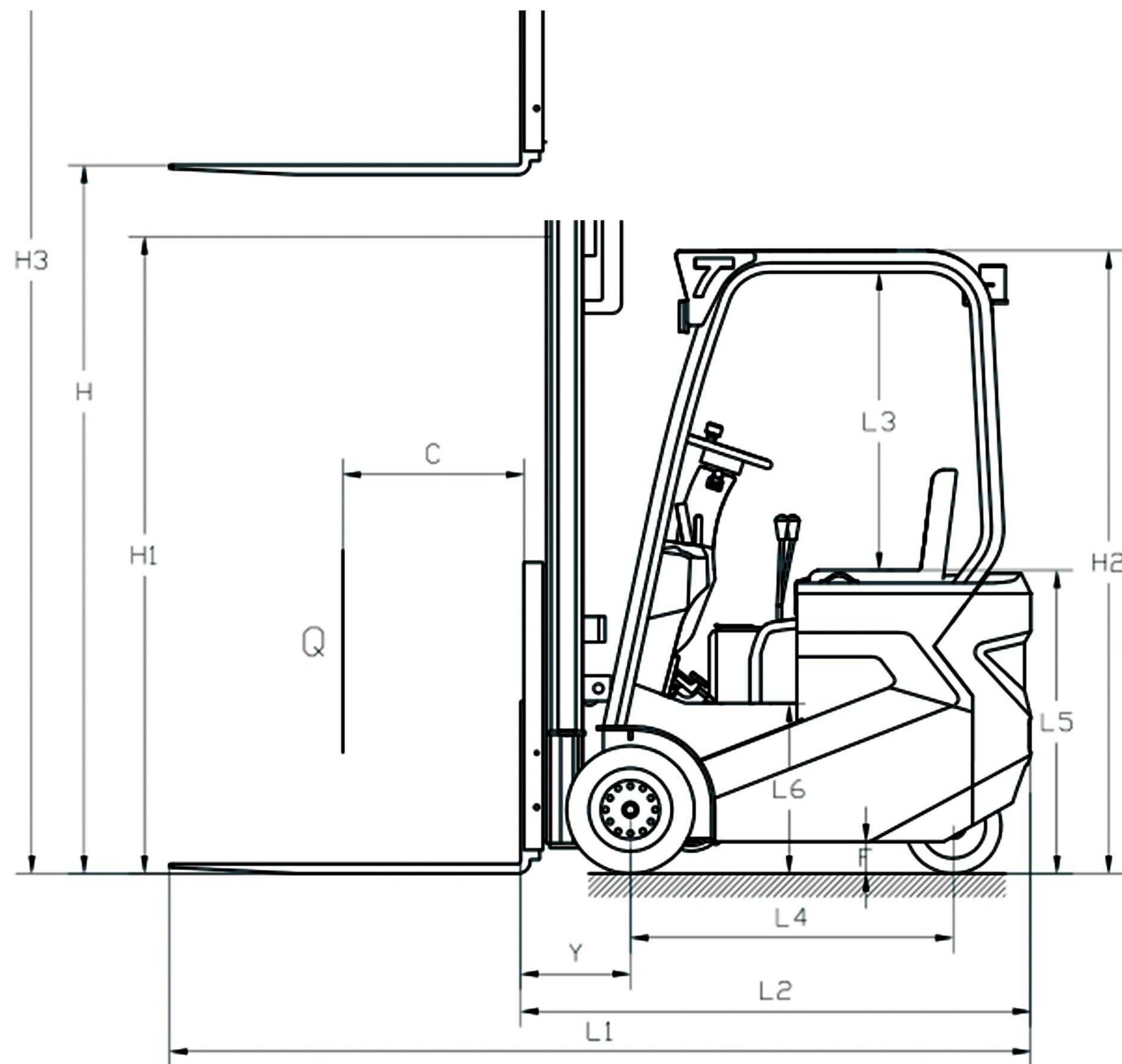
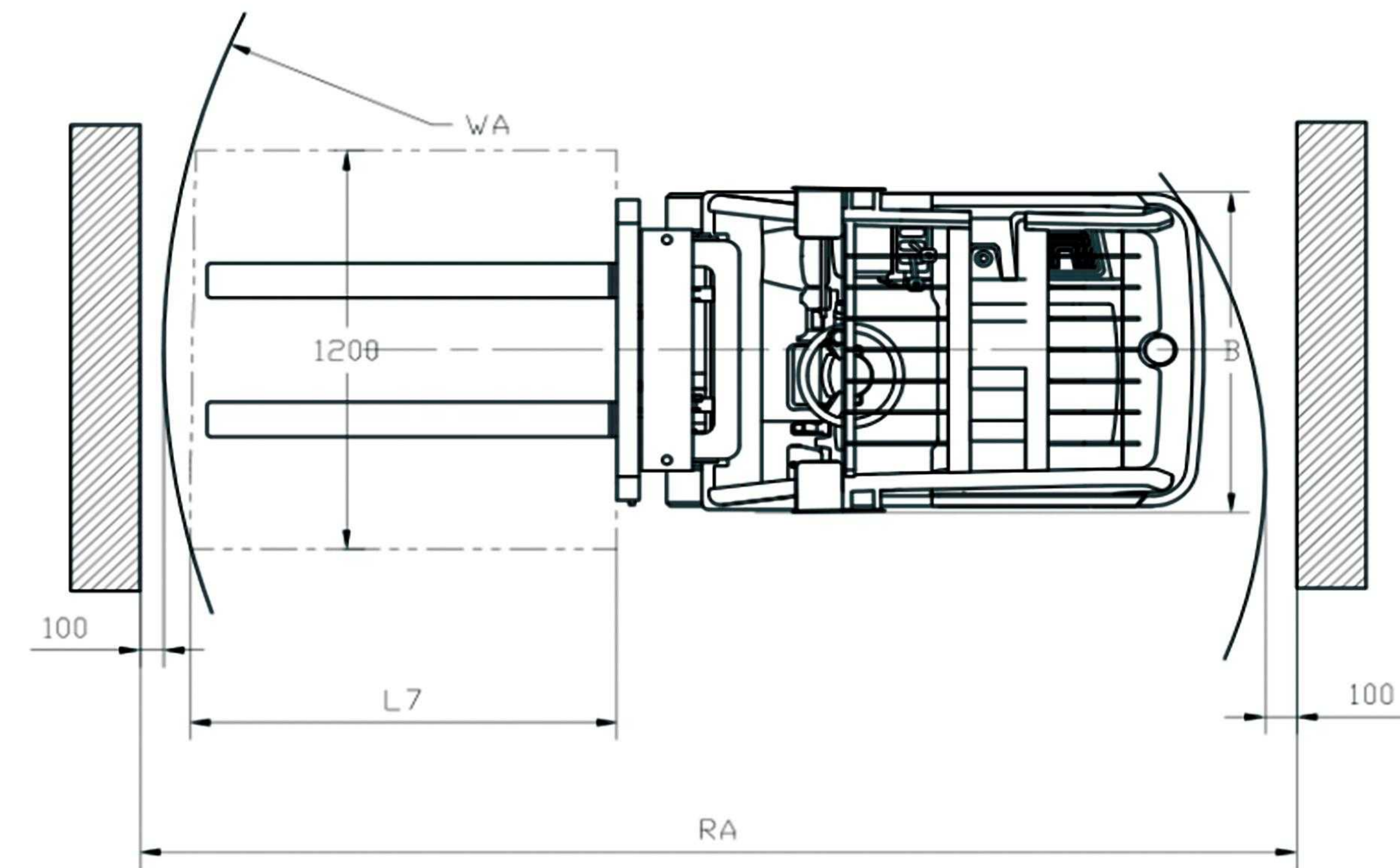
Security and stability

The hydraulic lifting system of this vehicle adopts the design without oil pipe, which greatly improves the reliability of the hydraulic system and reduces the risk of oil leakage of the joint or oil pipe.



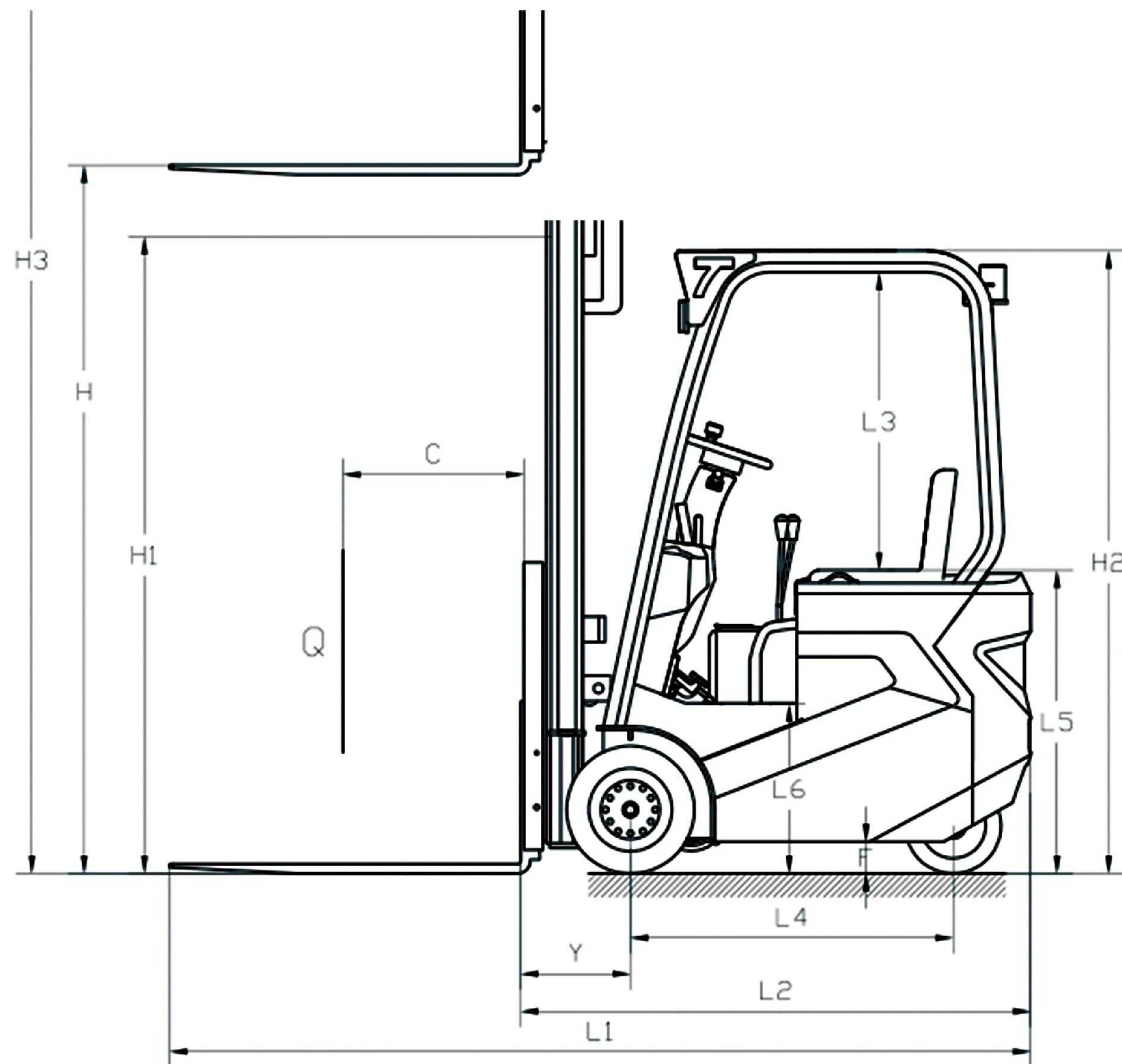
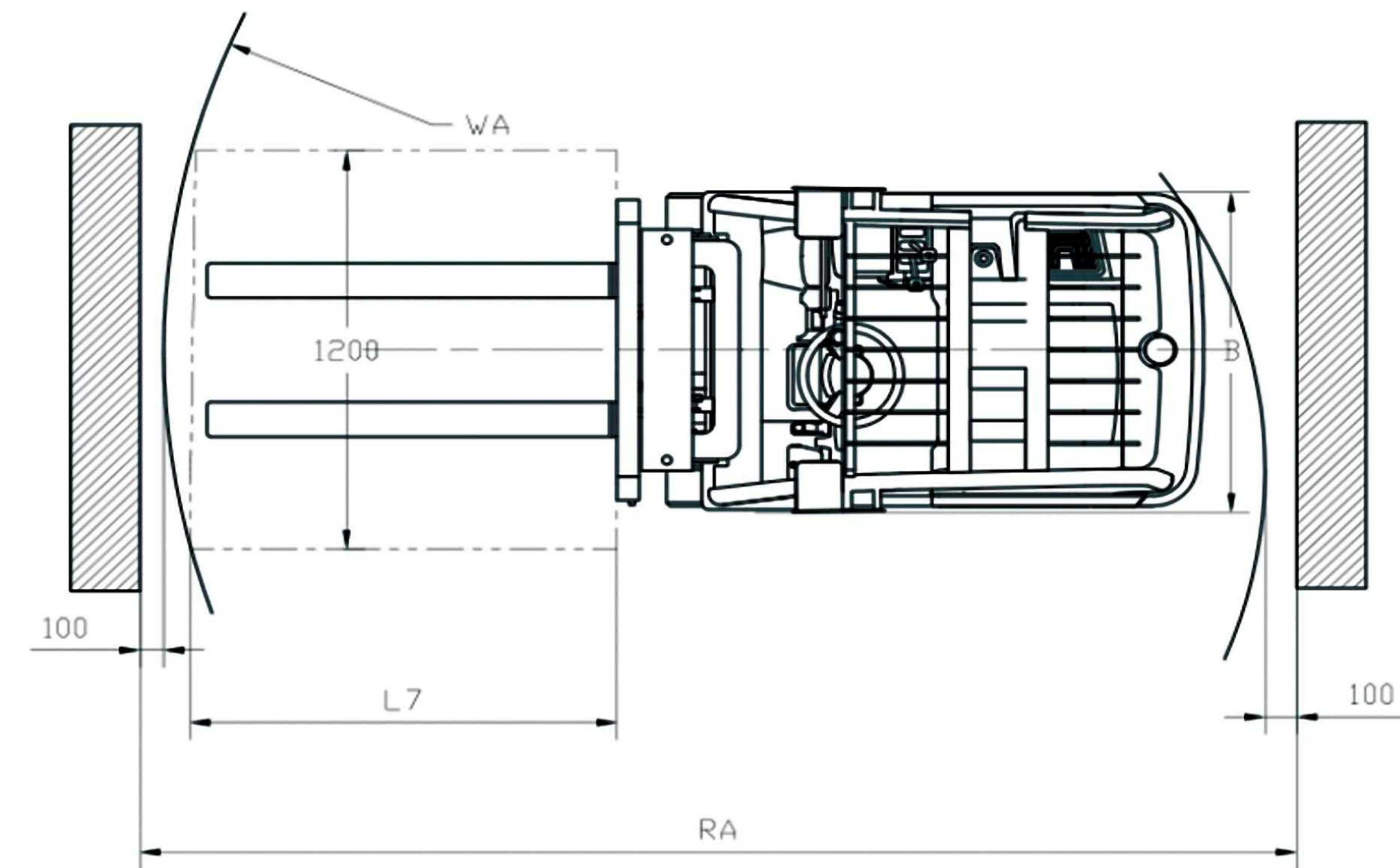
Technical Specification

Model	3WEF15 3M (Duplex mast without sideshift)	3WEF15 3M (Duplex mast with sideshift)	3WEF15 3.5M (Duplex mast without sideshift)	
Mast type	H type steel			
Drive mode	Front wheel drive			
Operation type	Sit-on drive			
Load capacity	kg	1500		
Load center	mm	400		
Wheelbase	mm	1220		
EPS(With/Without)	Without			
Service weight (without battery)	kg	2075	2075	2325
Service weight (with battery)	kg	2871	2919	2871
Wheel material	Rubber			
Wheel size, Front wheel	mm	450×140		
Numbers of wheels (Hydraulic steering)	4			
Steering wheel	mm	380×110		
Mast height when lowered	mm	2075	2075	2325
Overall length	mm	2871	2919	2871
Body width	mm	1014		
Overall width	mm	1040		
Roof height	mm	1992		
Max height when operation	mm	3862	4049	4362
Lift height	mm	80~3000	80~3000	80~3500
Ground clearance	mm	90		
Fork length	mm	1070		
Fork outside width	mm	200~800		
Min.turning radius	mm	1603		
Fork Min.height	mm	80		
Fork thickness	mm	35		
Fork width	mm	100		
Lift free height	mm	/	/	/
Fork lean forward / backforward angle	°	3/5		
Aisle width for pallets 800 x 1200 lengthway	mm	3172	3208	3172
Aisle width for pallets 1000 x 1000 crossway	mm	3473	3503	3473
Travel speed, Laden / unladen	km/h	8.0/9.0		
Lift speed, laden / unladen	mm/s	184/194		
Lowering speed, laden / unladen	mm/s	141/182	186/179	186/179
Max.gradeability, laden / unladen	%	10		
Drive motor power	kw	4		
Lift motor power	kw	3.5		
Battery voltage,nominal capacity	V/Ah	48/135		
Battery weight	kg	80		
Battery size (L×W×H)	mm	682×300×420		
Brake	Hydraulic brake			



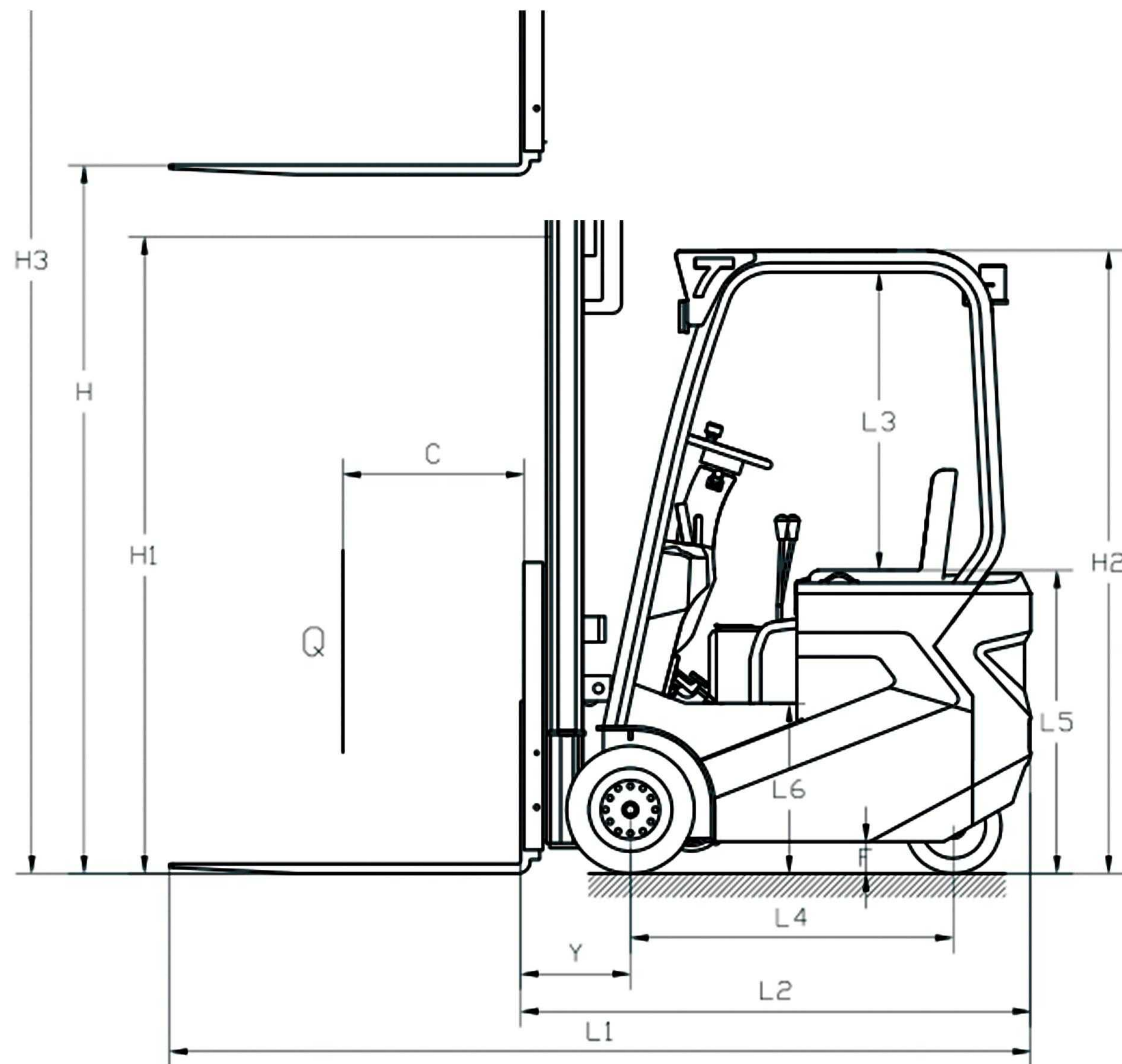
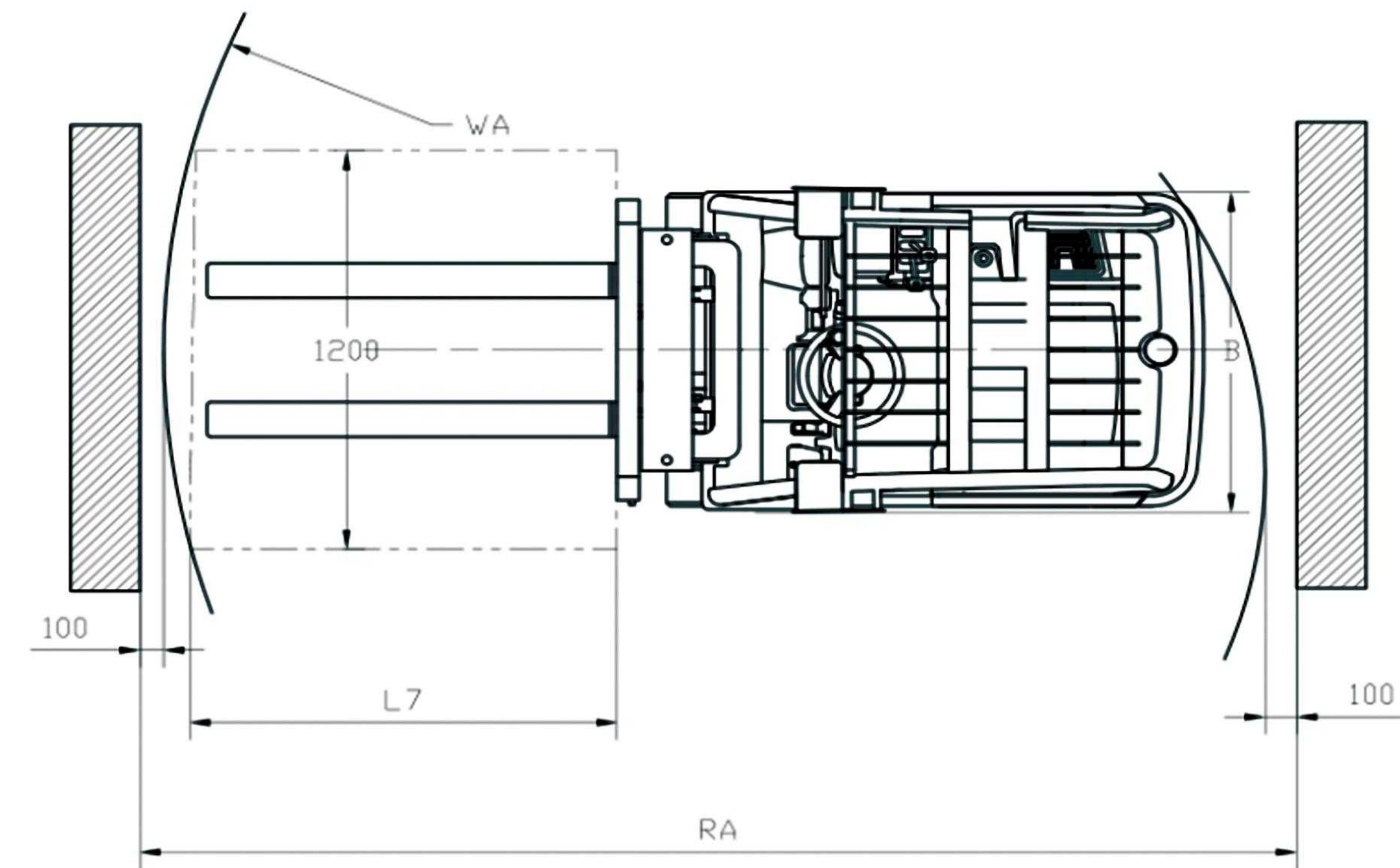
Technical Specification

Model	3WEF15 3.5M (Duplex mast with sideshift)	3WEF15 4M (Triplex mast without sideshift)	3WEF15 4M (Triplex mast with sideshift)
Mast type	H type steel		
Drive mode	Front wheel drive		
Operation type	Sit-on drive		
Load capacity	kg	1500	
Load center	mm	400	
Wheelbase	mm	1220	
EPS(With/Without)	Without		
Service weight (without battery)	kg	2465	2635
Service weight (with battery)	kg	2545	2735
Wheel material	Rubber		
Wheel size, Front wheel	mm	450×140	
Numbers of wheels (Hydraulic steering)	4		
Steering wheel	mm	380×110	
Mast height when lowered	mm	2325	1920
Overall length	mm	2919	2919
Body width	mm	1014	
Overall width	mm	1040	
Roof height	mm	1992	
Max height when operation	mm	4549	4808
Lift height	mm	80~3500	80~4000
Ground clearance	mm	90	
Fork length	mm	1070	
Fork outside width	mm	200~800	
Min.turning radius	mm	1603	
Fork Min.height	mm	80	
Fork thickness	mm	35	
Fork width	mm	100	
Lift free height	mm	/	1375
Fork lean forward / backforward angle	°	3/5	
Aisle width for pallets 800 x 1200 lengthway	mm	3203	3208
Aisle width for pallets 1000 x 1000 crossway	mm	3499	3503
Travel speed, Laden / unladen	km/h	8.0/9.0	
Lift speed, laden / unladen	mm/s	184/194	
Lowering speed, laden / unladen	mm/s	186/179	186/179
Max.gradeability, laden / unladen	%	10	
Drive motor power	kw	4	
Lift motor power	kw	3.5	
Battery voltage,nominal capacity	V/Ah	48/135	
Battery weight	kg	80	
Battery size (L×W×H)	mm	682×300×420	
Brake	Hydraulic brake		



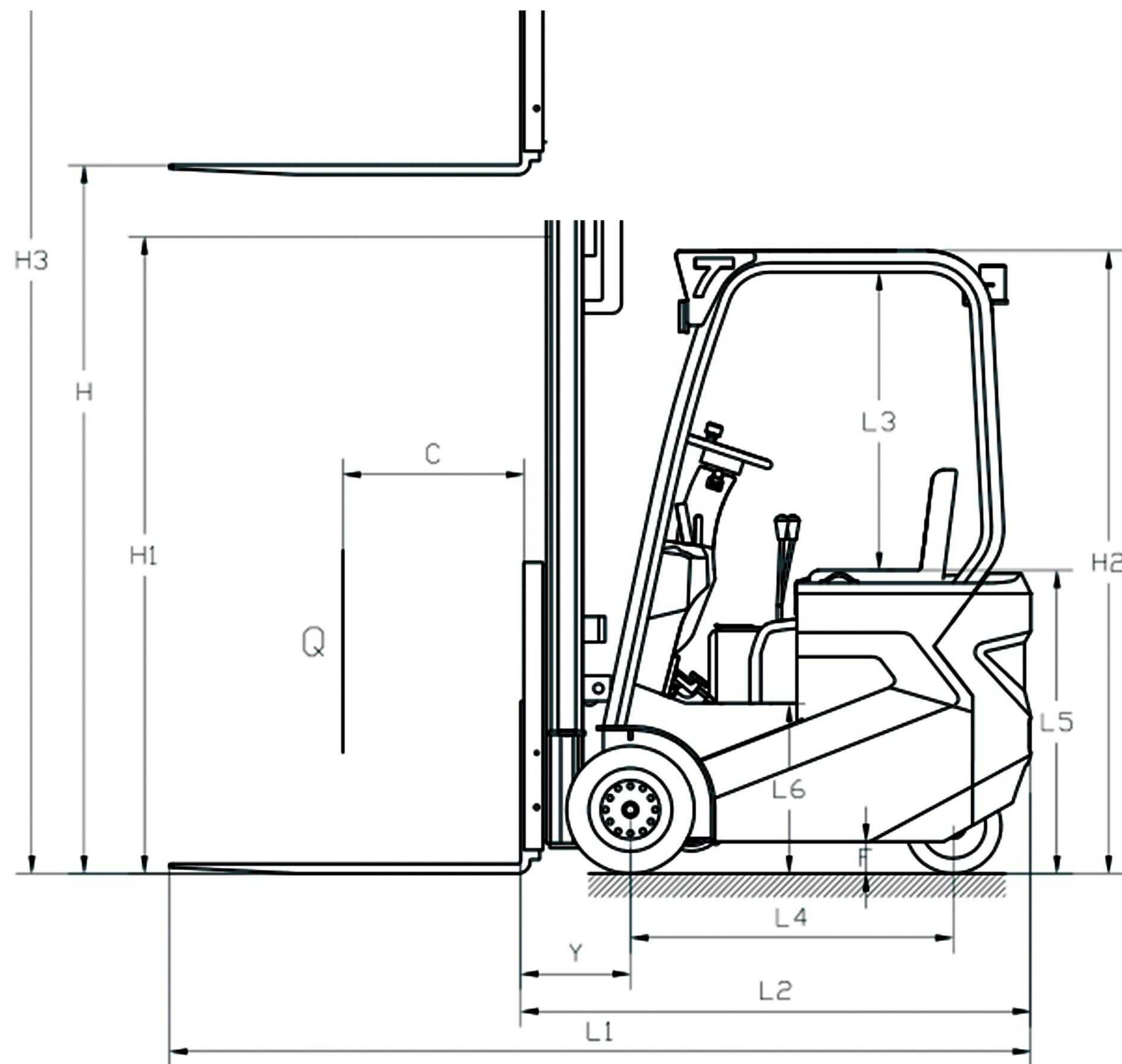
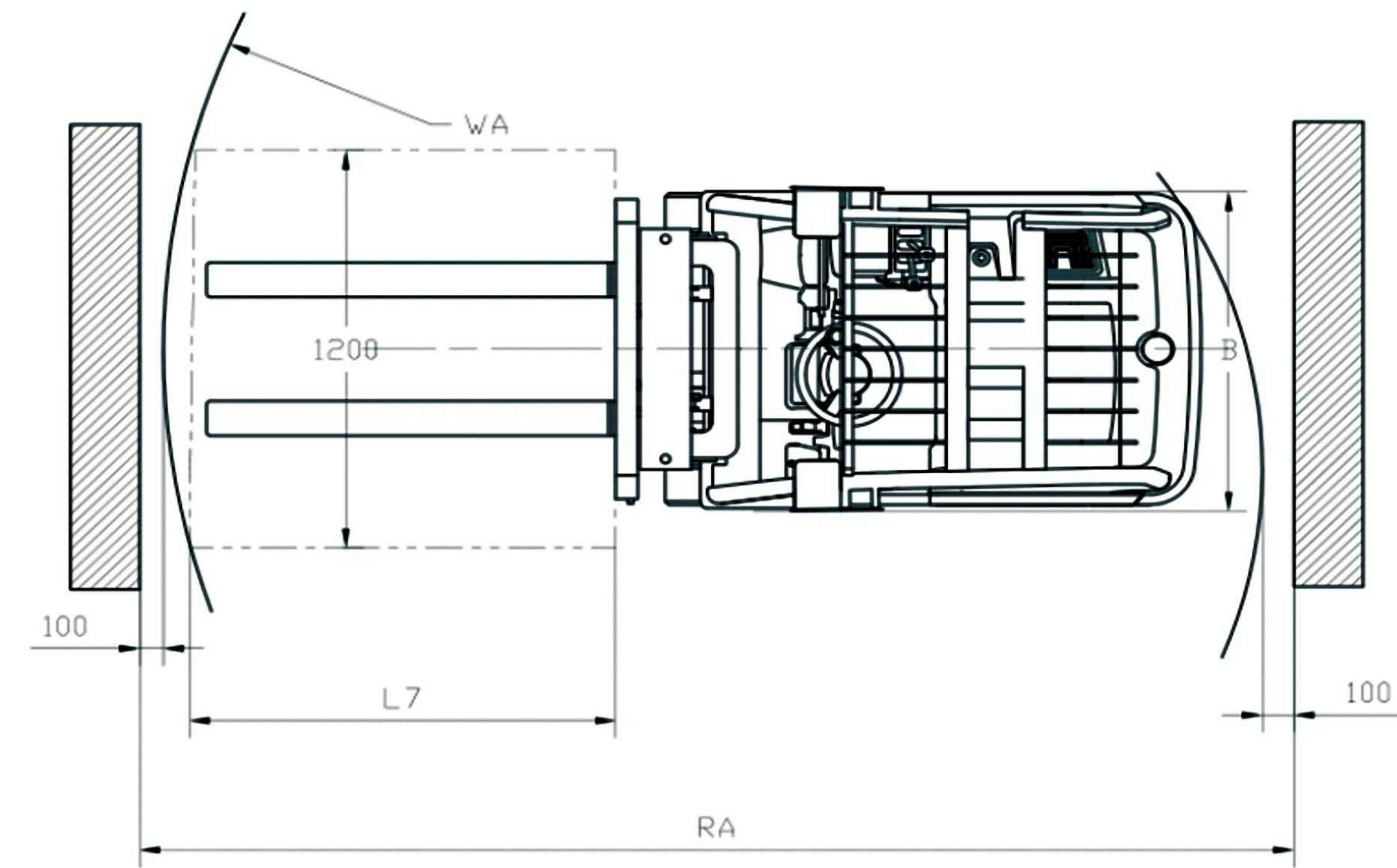
Technical Specification

Model	3WEF15 4.5M (Triplex mast without sideshift)	3WEF15 4.5M (Triplex mast with sideshift)	3WEF15 4.8M (Triplex mast without sideshift)	
Mast type	H type steel			
Drive mode	Front wheel drive			
Operation type	Sit-on drive			
Load capacity	kg	1500		
Load center	mm	400		
Wheelbase	mm	1220		
EPS(With/Without)	Without			
Service weight (without battery)	kg	2660	2680	2670
Service weight (with battery)	kg	2740	2760	2755
Wheel material	Rubber			
Wheel size, Front wheel	mm	450×140		
Numbers of wheels (Hydraulic steering)	4			
Steering wheel	mm	380×110		
Mast height when lowered	mm	2085	2085	2185
Overall length	mm	2871	2919	2888
Body width	mm	1014		
Overall width	mm	1040		
Roof height	mm	1992		
Max height when operation	mm	5303	5490	5603
Lift height	mm	80~4500	80~4500	80~4800
Ground clearance	mm	90		
Fork length	mm	1070		
Fork outside width	mm	200~800		
Min.turning radius	mm	1603		
Fork Min.height	mm	80		
Fork thickness	mm	35		
Fork width	mm	100		
Lift free height	mm	1740	1740	1640
Fork lean forward / backforward angle	°	3/5		
Aisle width for pallets 800 x 1200 lengthway	mm	3172	3208	3172
Aisle width for pallets 1000 x 1000 crossway	mm	3473	3503	3473
Travel speed, Laden / unladen	km/h	8.0/9.0		
Lift speed, laden / unladen	mm/s	184/194		
Lowering speed, laden / unladen	mm/s	186/179		
Max.gradeability, laden / unladen	%	10		
Drive motor power	kw	4		
Lift motor power	kw	3.5		
Battery voltage,nominal capacity	V/Ah	48/135		
Battery weight	kg	80		
Battery size (L×W×H)	mm	682×300×420		
Brake	Hydraulic brake			



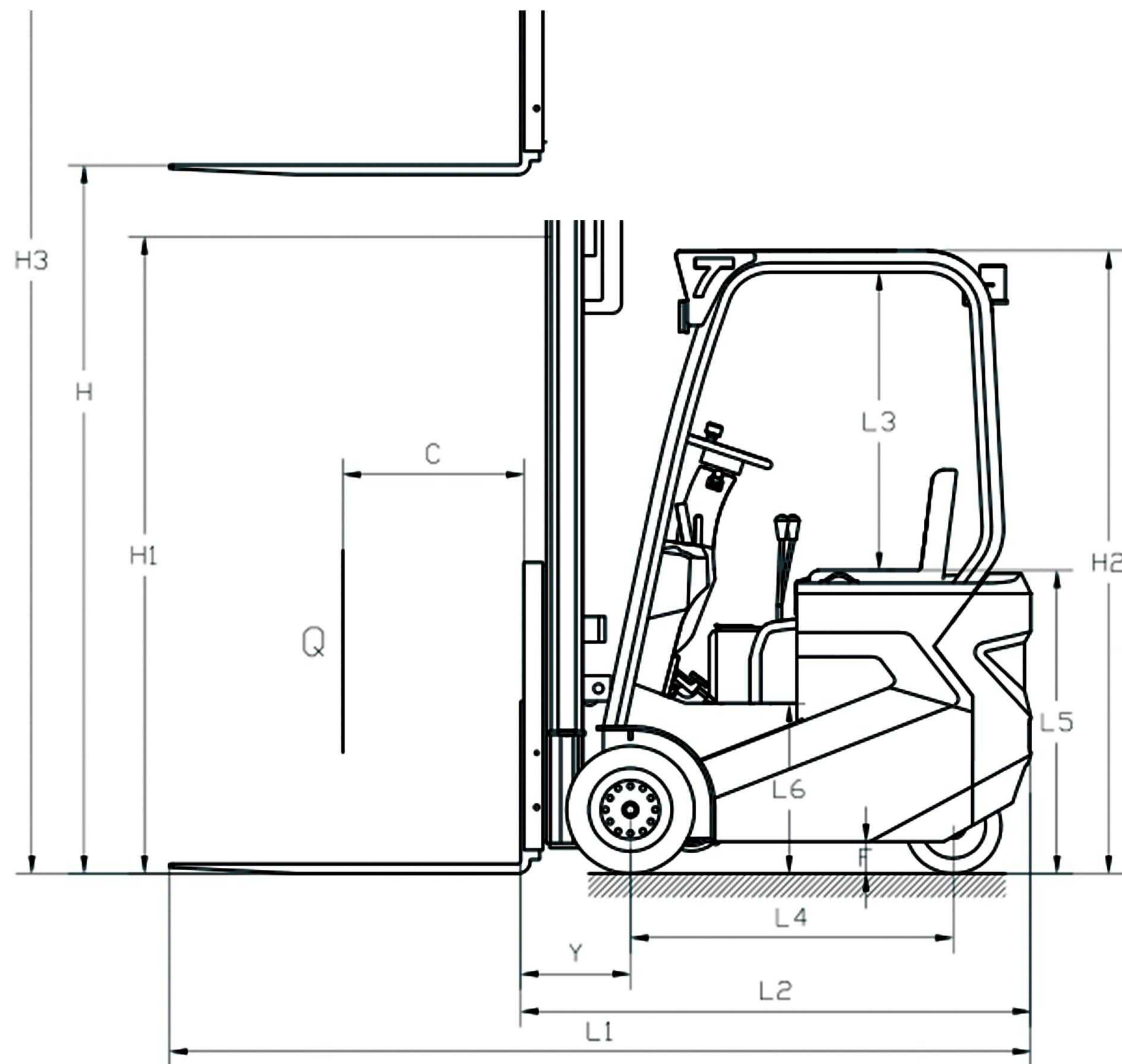
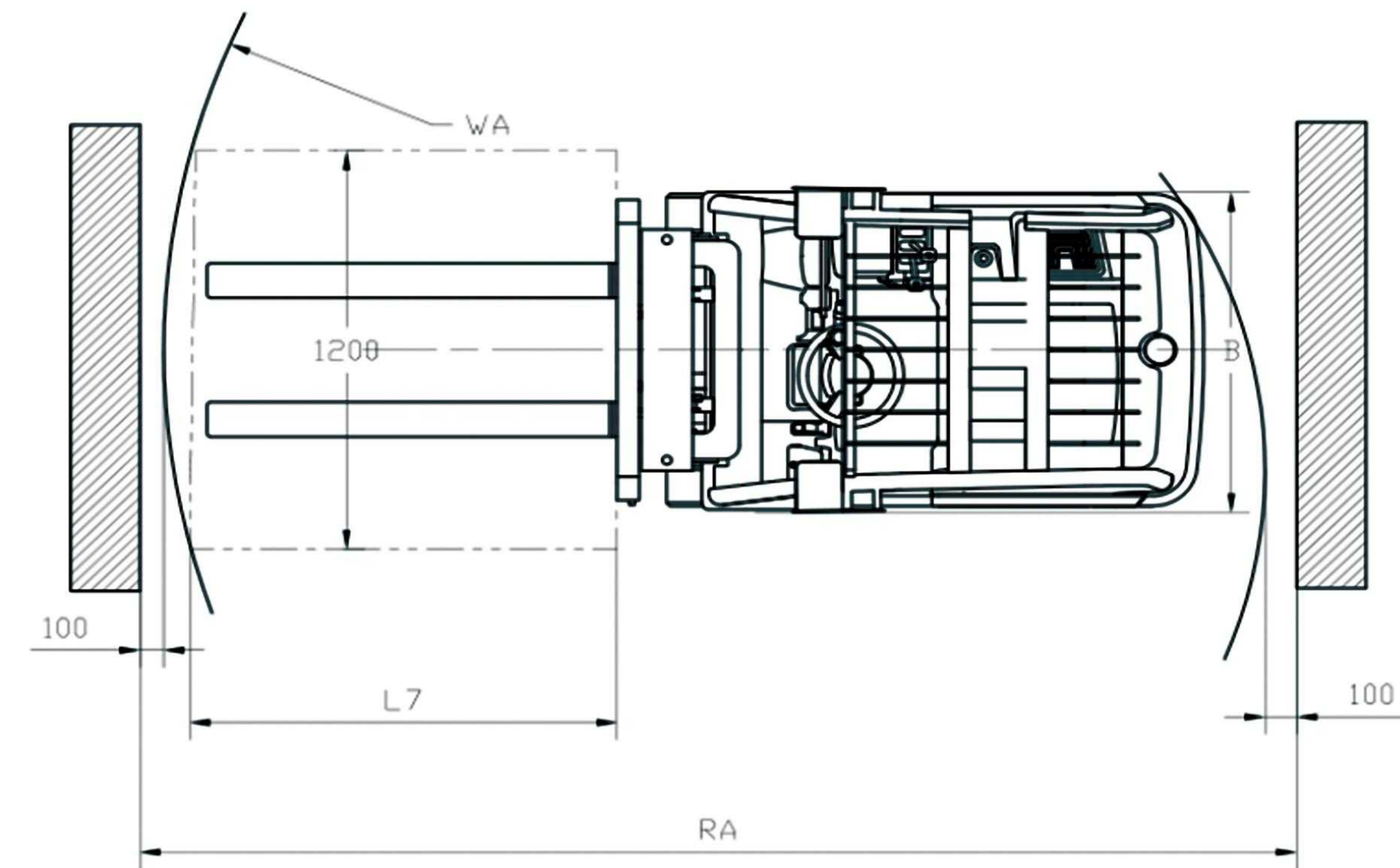
Technical Specification

Model	3WEF15 4.8M (Triplex mast with sideshift)	3WEF18 3M (Duplex mast without sideshift)	3WEF18 3M (Duplex mast with sideshift)
Mast type	H type steel		
Drive mode	Front wheel drive		
Operation type	Sit-on drive		
Load capacity	kg	1500	1800
Load center	mm	400	
Wheelbase	mm	1220	1370
EPS(With/Without)	Without		
Service weight (without battery)	kg	2695	2735
Service weight (with battery)	kg	2775	2885
Wheel material	Rubber		
Wheel size, Front wheel	mm	450×140	445×168
Numbers of wheels (Hydraulic steering)	4		
Steering wheel	mm	380×110	384×135
Mast height when lowered	mm	2185	2075
Overall length	mm	2924	3074
Body width	mm	1014	1064
Overall width	mm	1040	1078
Roof height	mm	1992	
Max height when operation	mm	5799	4049
Lift height	mm	80~4800	80~3000
Ground clearance	mm	90	
Fork length	mm	1070	
Fork outside width	mm	200~800	240~800
Min.turning radius	mm	1603	1733
Fork Min.height	mm	80	
Fork thickness	mm	35	40
Fork width	mm	100	120
Lift free height	mm	1640	/
Fork lean forward / backforward angle	°	3/5	
Aisle width for pallets 800 x 1200 lengthway	mm	3208	3353
Aisle width for pallets 1000 x 1000 crossway	mm	3503	3649
Travel speed, Laden / unladen	km/h	8.0/9.0	
Lift speed, laden / unladen	mm/s	184/194	
Lowering speed, laden / unladen	mm/s	186/179	
Max.gradeability, laden / unladen	%	10	
Drive motor power	kw	4	6
Lift motor power	kw	3.5	3.5
Battery voltage,nominal capacity	V/Ah	48/135	48/200
Battery weight	kg	80	130
Battery size (L×W×H)	mm	682×300×420	682×300×600
Brake	Hydraulic brake		



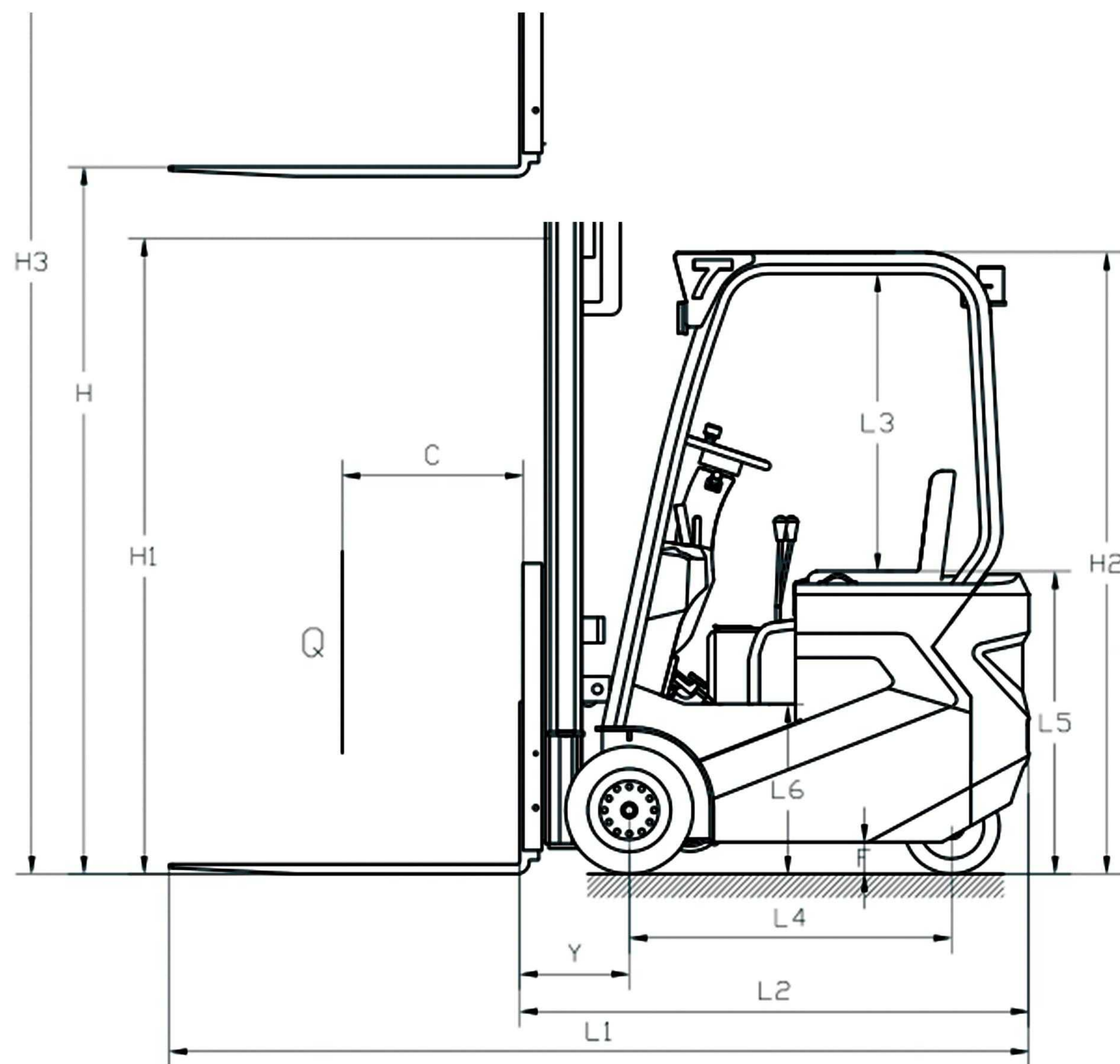
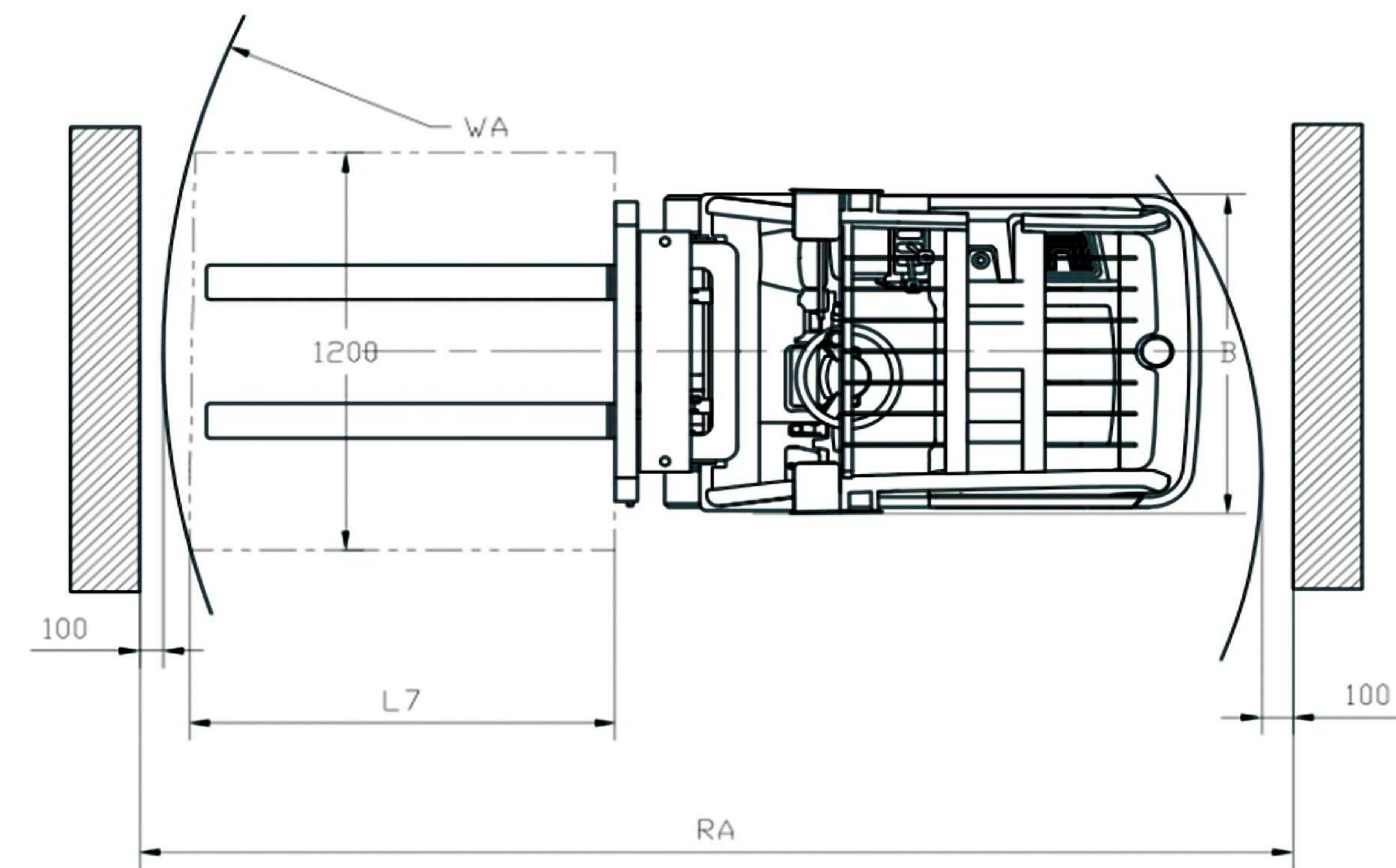
Technical Specification

Model	3WEF18 3.5M (Duplex mast without sideshift)	3WEF18 3.5M (Duplex mast with sideshift)	3WEF18 4M (Triplex mast without sideshift)
Mast type	H type steel		
Drive mode	Front wheel drive		
Operation type	Sit-on drive		
Load capacity	kg	1800	
Load center	mm	400	
Wheelbase	mm	1370	
EPS(With/Without)	Without		
Service weight (without battery)	kg	2760	2950
Service weight (with battery)	kg	2890	3080
Wheel material	Rubber		
Wheel size, Front wheel	mm	445×168	
Numbers of wheels (Hydraulic steering)	4		
Steering wheel	mm	384×135	
Mast height when lowered	mm	2325	1920
Overall length	mm	3026	3043
Body width	mm	1064	
Overall width	mm	1078	
Roof height	mm	1992	
Max height when operation	mm	4362	4808
Lift height	mm	80~3500	80~4000
Ground clearance	mm	90	
Fork length	mm	1070	
Fork outside width	mm	240~800	
Min.turning radius	mm	1733	
Fork Min.height	mm	80	
Fork thickness	mm	40	
Fork width	mm	120	
Lift free height	mm	/	1375
Fork lean forward / backforward angle	°	3/5	
Aisle width for pallets 800 x 1200 lengthway	mm	3155	3172
Aisle width for pallets 1000 x 1000 crossway	mm	3460	3473
Travel speed, Laden / unladen	km/h	8.0/9.0	
Lift speed, laden / unladen	mm/s	184/194	
Lowering speed, laden / unladen	mm/s	186/179	
Max.gradeability, laden / unladen	%	10	
Drive motor power	kw	6	
Lift motor power	kw	3.5	
Battery voltage,nominal capacity	V/Ah	48/200	
Battery weight	kg	130	
Battery size (L×W×H)	mm	682×300×600	
Brake	Hydraulic brake		



Technical Specification

Model	3WEF18 4M (Triplex mast with sideshift)	3WEF18 4.5M (Triplex mast without sideshift)	3WEF18 4.5M (Triplex mast with sideshift)
Mast type	H type steel		
Drive mode	Front wheel drive		
Operation type	Sit-on drive		
Load capacity	kg	1800	
Load center	mm	400	
Wheelbase	mm	1370	
EPS(With/Without)	Without		
Service weight (without battery)	kg	2970	2995
Service weight (with battery)	kg	3100	3125
Wheel material	Rubber		
Wheel size, Front wheel	mm	445×168	
Numbers of wheels (Hydraulic steering)	4		
Steering wheel	mm	384×135	
Mast height when lowered	mm	1920	2085
Overall length	mm	3079	3079
Body width	mm	1064	
Overall width	mm	1078	
Roof height	mm	1992	
Max height when operation	mm	4995	5490
Lift height	mm	80~4000	80~4500
Ground clearance	mm	90	
Fork length	mm	1070	
Fork outside width	mm	240~800	
Min.turning radius	mm	1733	
Fork Min.height	mm	80	
Fork thickness	mm	40	
Fork width	mm	120	
Lift free height	mm	1375	1740
Fork lean forward / backforward angle	°	3/5	
Aisle width for pallets 800 x 1200 lengthway	mm	3208	3208
Aisle width for pallets 1000 x 1000 crossway	mm	3503	3503
Travel speed, Laden / unladen	km/h	8.0/9.0	
Lift speed, laden / unladen	mm/s	184/194	
Lowering speed, laden / unladen	mm/s	186/179	
Max.gradeability, laden / unladen	%	10	
Drive motor power	kw	6	
Lift motor power	kw	3.5	
Battery voltage,nominal capacity	V/Ah	48/200	
Battery weight	kg	130	
Battery size (L×W×H)	mm	682×300×600	
Brake	Hydraulic brake		



Technical Specification

Model	3WEF18 4.8M (Triplex mast without sideshift)	3WEF18 4.8M (Triplex mast with sideshift)	
Mast type	H type steel		
Drive mode	Front wheel drive		
Operation type	Sit-on drive		
Load capacity	kg	1800	
Load center	mm	400	
Wheelbase	mm	1370	
EPS(With/Without)	Without		
Service weight (without battery)	kg	2970	2990
Service weight (with battery)	kg	3120	3140
Wheel material	Rubber		
Wheel size, Front wheel	mm	445×168	
Numbers of wheels (Hydraulic steering)	4		
Steering wheel	mm	384×135	
Mast height when lowered	mm	2185	2185
Overall length	mm	3043	3079
Body width	mm	1064	
Overall width	mm	1078	
Roof height	mm	1992	
Max height when operation	mm	5603	5799
Lift height	mm	80~4500	
Ground clearance	mm	90	
Fork length	mm	1070	
Fork outside width	mm	240~800	
Min.turning radius	mm	1733	
Fork Min.height	mm	80	
Fork thickness	mm	40	
Fork width	mm	120	
Lift free height	mm	1640	
Fork lean forward / backforward angle	°	3/5	
Aisle width for pallets 800 x 1200 lengthway	mm	3322	3358
Aisle width for pallets 1000 x 1000 crossway	mm	3623	3653
Travel speed, Laden / unladen	km/h	8.0/9.0	
Lift speed, laden / unladen	mm/s	184/194	
Lowering speed, laden / unladen	mm/s	186/179	
Max.gradeability, laden / unladen	%	10	
Drive motor power	kw	6	
Lift motor power	kw	3.5	
Battery voltage,nominal capacity	V/Ah	48/200	
Battery weight	kg	130	
Battery size (L×W×H)	mm	682×300×600	
Brake	Hydraulic brake		